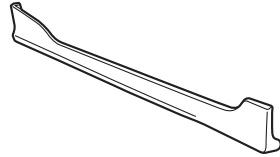
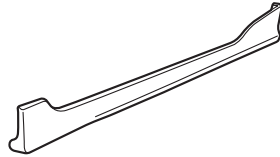


## PARTS LIST

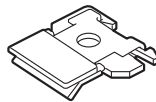
Right spoiler



Left spoiler



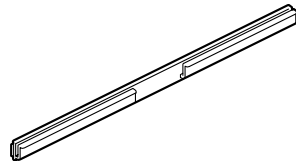
4 Flare nuts



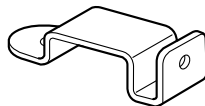
4 Self-tapping screws



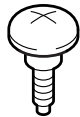
4 Rails



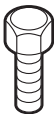
2 Clamps



2 Bracket screws



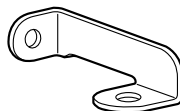
2 Bolts



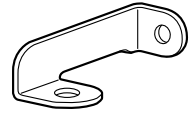
2 Washer-nuts



Right bracket A



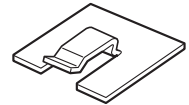
Left bracket A



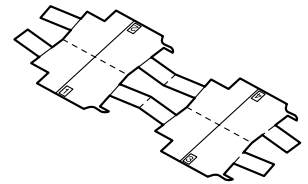
2 Clips



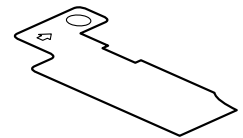
2 Brackets B



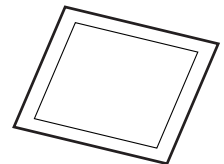
Template A



Template B



4 Alcohol swabs



2 Washers  
(May not be used)



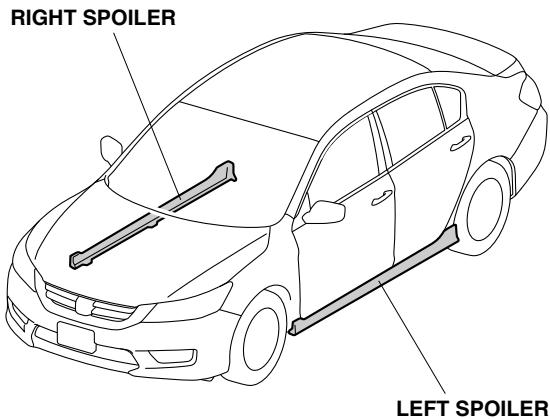
## TOOL AND SUPPLIES REQUIRED

Phillips screwdriver  
Masking tape  
Scissors  
Ruler  
Soap  
Ratchet  
10 mm Socket  
Torque wrench  
10 mm Open end wrench  
Felt-tip pen  
Utility knife  
Touch-up paint  
Tape measure  
Isopropyl alcohol  
Shop towel

*The following tool is available through the Honda Tool and Equipment Program. On the iN, click on: Service > Service Bay > Tool and Equipment Program, then enter the number under "Search." Or, call 888-424-6857.*

- Rubber Roller (T/N MHLE540)

### **Illustration of the Side Under Spoilers on the Vehicle**



QB12718AG

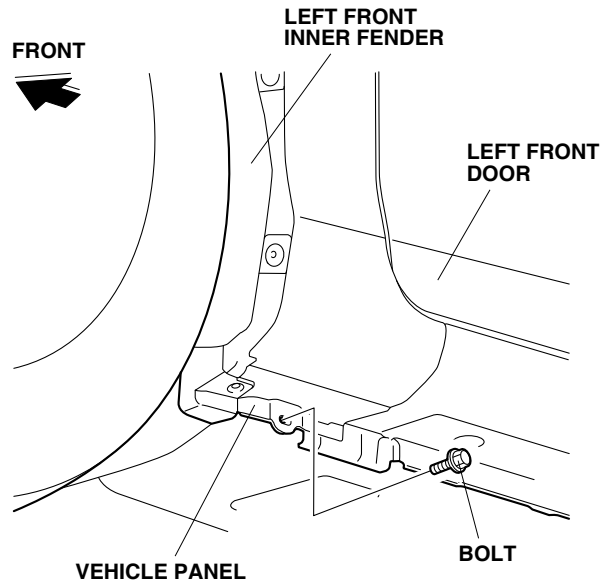
## INSTALLATION

**Customer Information:** The information in this installation instruction is intended for use only by skilled technicians who have the proper tools, equipment, and training to correctly and safely add equipment to your vehicle. These procedures should not be attempted by "do-it-yourselfers."

### NOTE:

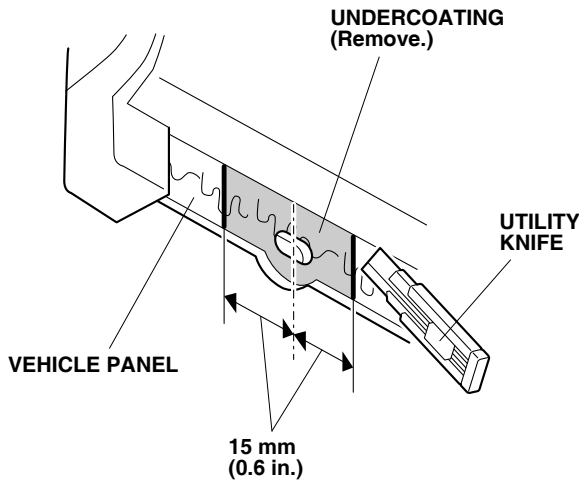
- These instructions show the left spoiler being installed. The same procedure applies to installing the right spoiler.
- Be careful not to damage the paint finish.
- This kit should be installed only if the ambient air temperature is 15°C (60°F) or above.
- To allow the adhesive to cure, do not wash the vehicle for 24 hours. Please advise the customer.

1. With the vehicle on a lift, locate and remove the bolt from the vehicle panel.



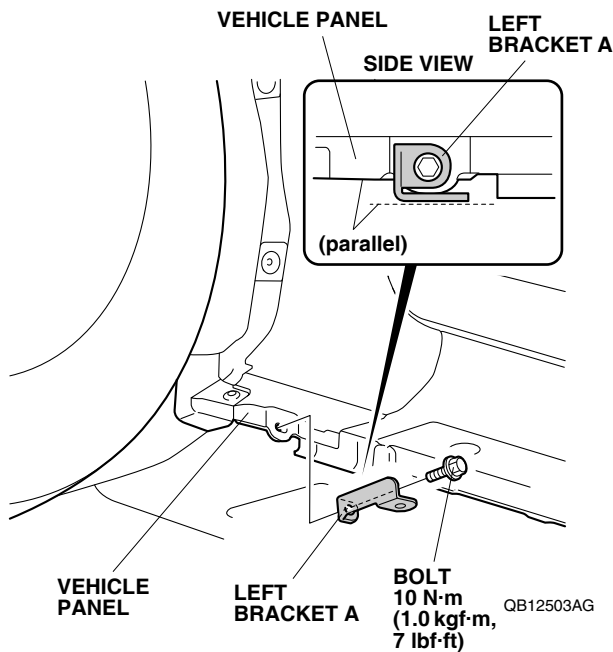
QB12501AG

- Using a utility knife, remove the undercoating at the measurement shown.



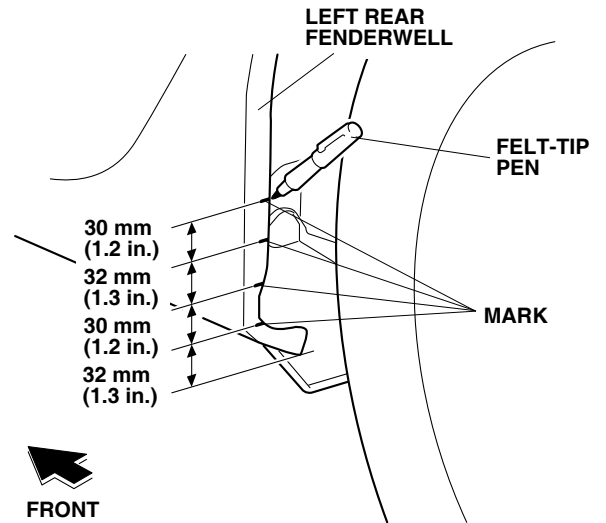
QB12502AG

- Apply touch-up paint to the area where you removed the undercoating, and allow it to dry thoroughly.
- Secure the left bracket A to the vehicle panel with the bolt removed in step 1. Torque the bolt to 10 N·m (7 lbf·ft).



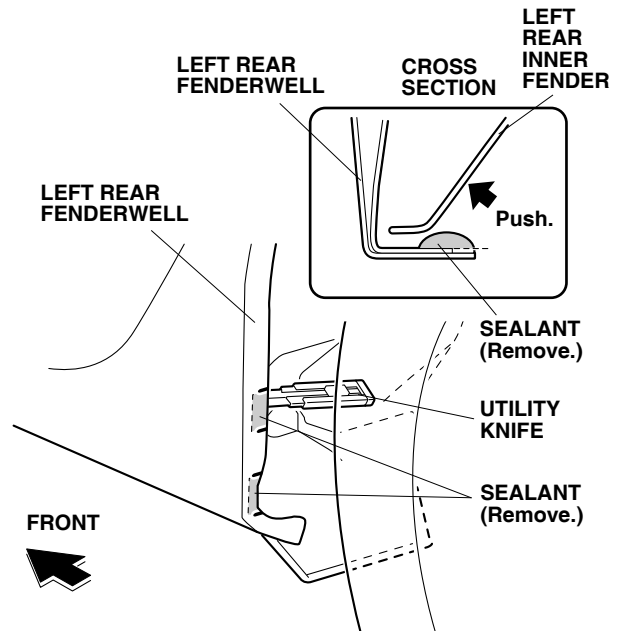
QB12503AG

- Using a felt-tip pen, mark the left rear fenderwell at the measurements shown.



QB40202BE

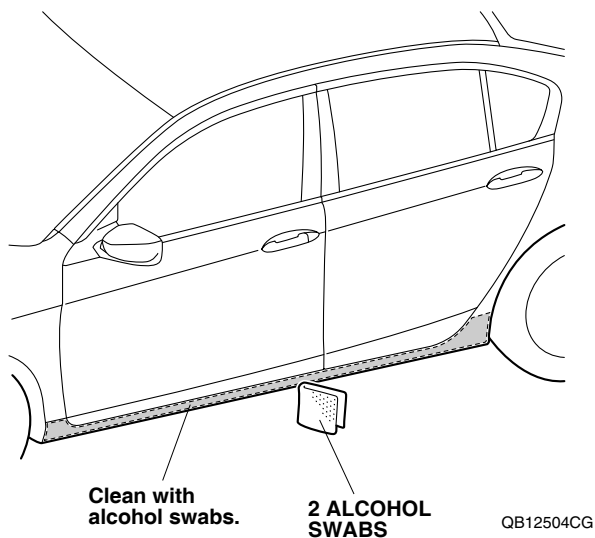
- Using a utility knife, remove any sealant on the inside of the left rear fenderwell in the area shown. Be careful not to damage the paint finish.



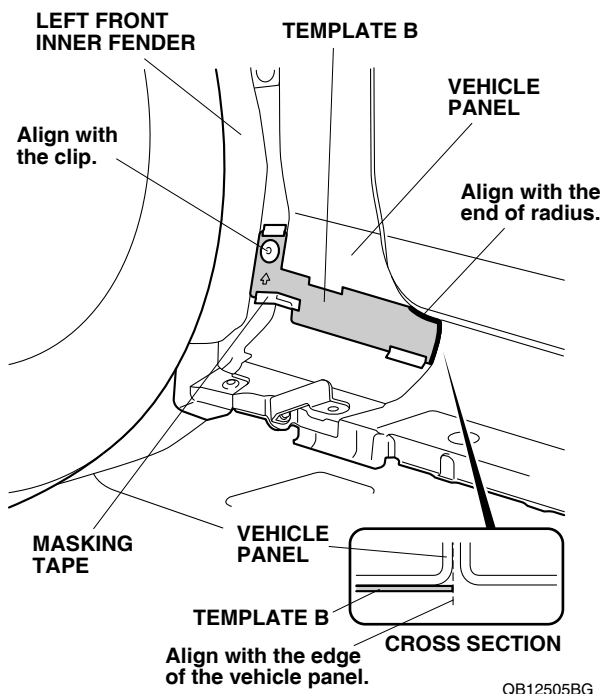
QB40203BE

- Apply touch-up paint to the areas where you removed the sealant, and allow it to dry thoroughly.

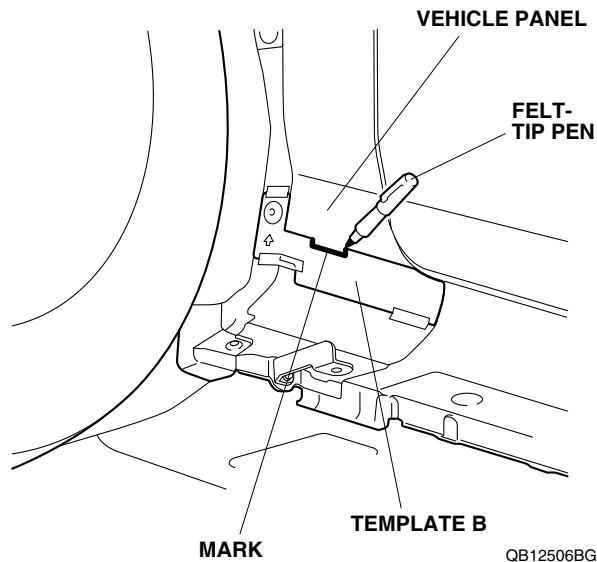
- Using two alcohol swabs, thoroughly clean the body where the left spoiler will attach.



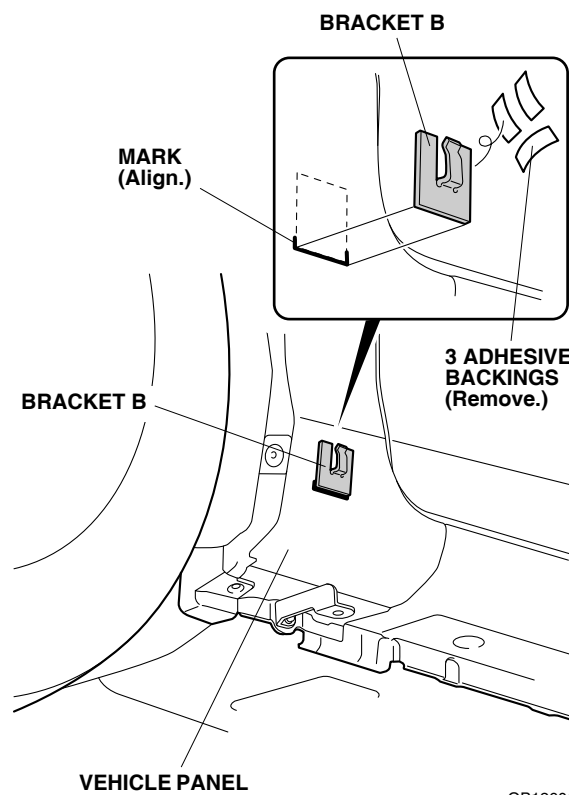
- Place template B on the vehicle panel in the area shown, and attach it with masking tape.



- Using a felt-tip pen, mark the vehicle panel in the area shown. Remove template B. Be careful not to damage the template. It is also used to mark the right side of the vehicle.

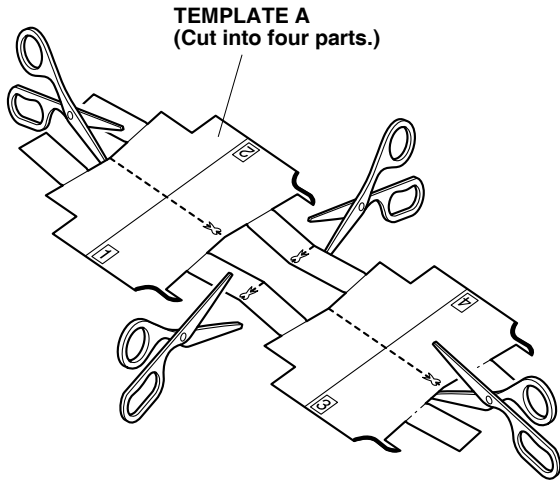


- Remove the three adhesive backings from bracket B.



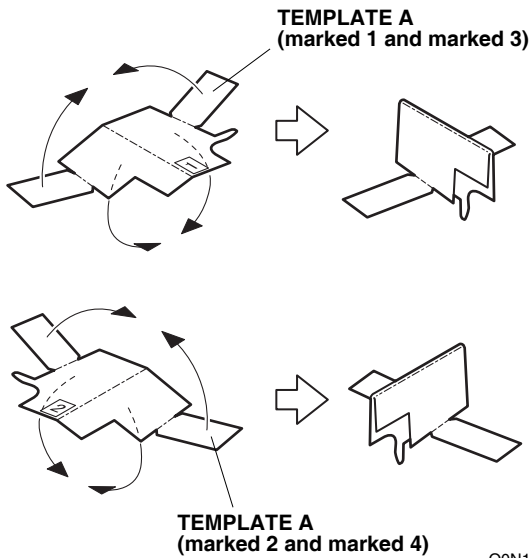
- Align bracket B with the mark made in step 10, and attach it to the vehicle panel. Press and hold the bracket firmly against the vehicle for 30 seconds.

13. Using scissors, cut out template A.



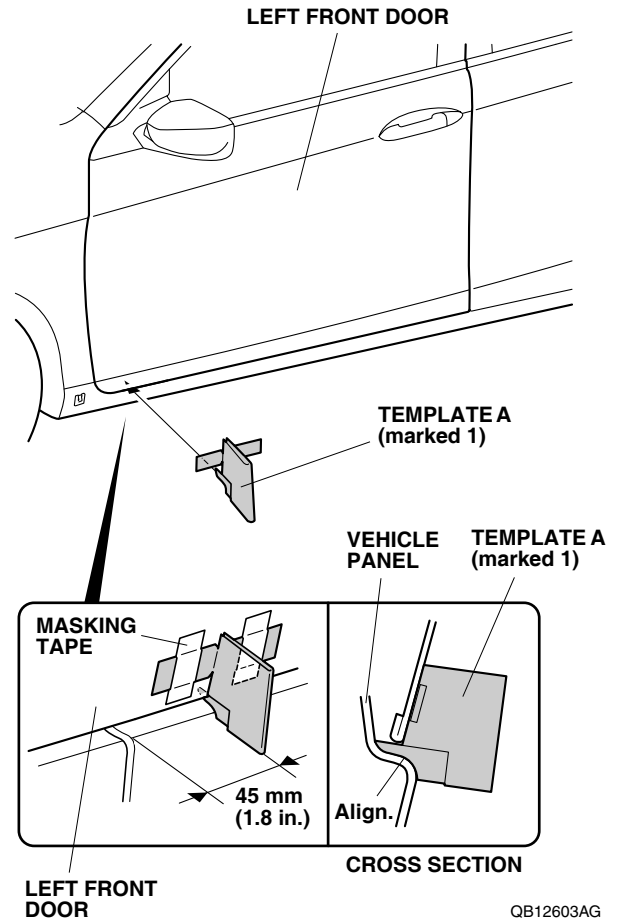
QB12602AG

14. Fold each part of template A as shown.



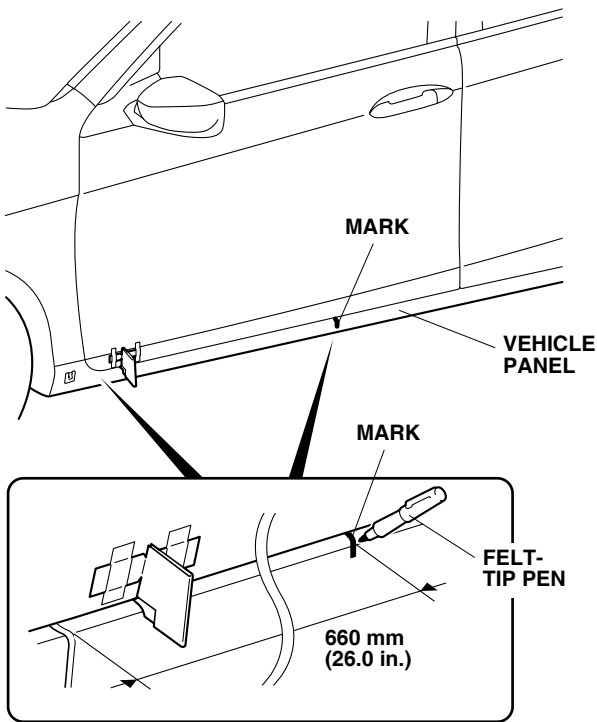
Q0N1103BJ

15. Place template A (marked 1) into position at the location shown. Align template A with the vehicle panel; lightly push down on the template, and attach it to the left front door with masking tape. Make sure there is no gap between the template and the vehicle panel.



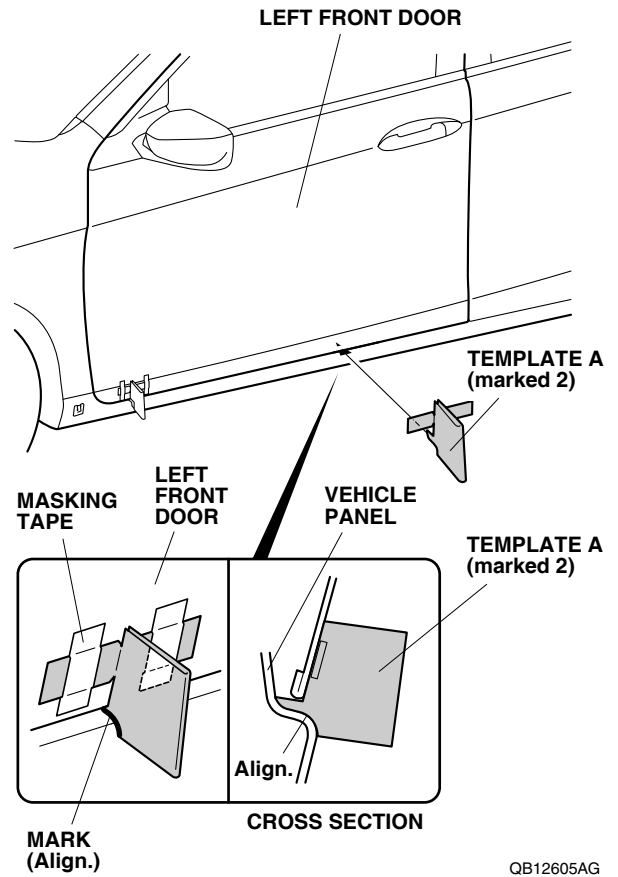
QB12603AG

16. Using a felt-tip pen, mark the vehicle panel at the measurement shown.



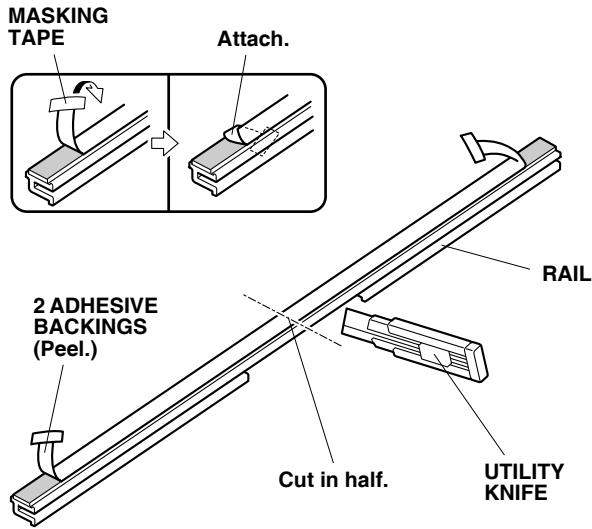
QB12604BG

17. Place template A (marked 2) into position at the location shown. Align template A with the vehicle panel; lightly push down on the template, and attach it to the left front door with masking tape. Make sure there is no gap between the template and the vehicle panel.



QB12605AG

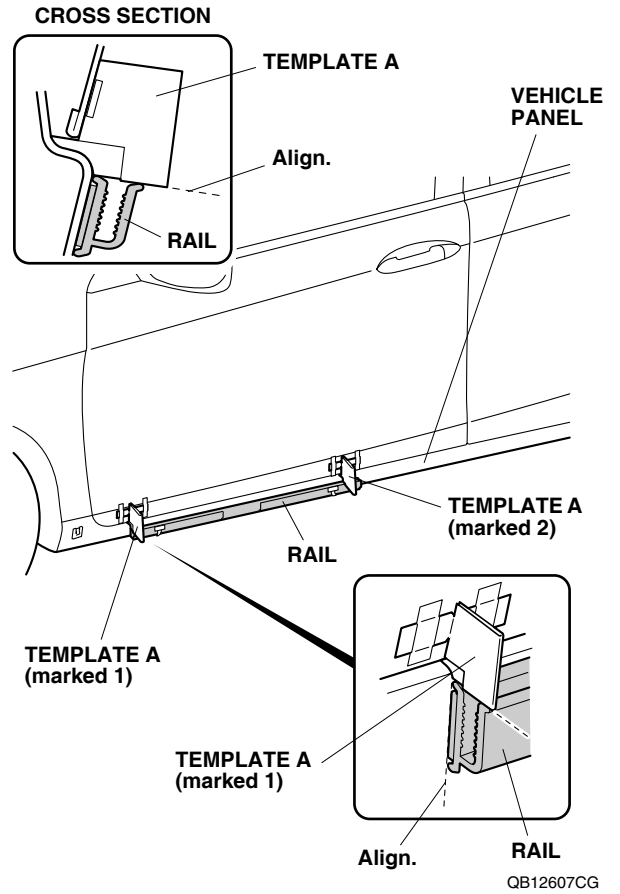
18. Using a utility knife, cut the adhesive backing on the rail in half.



QB12606BG

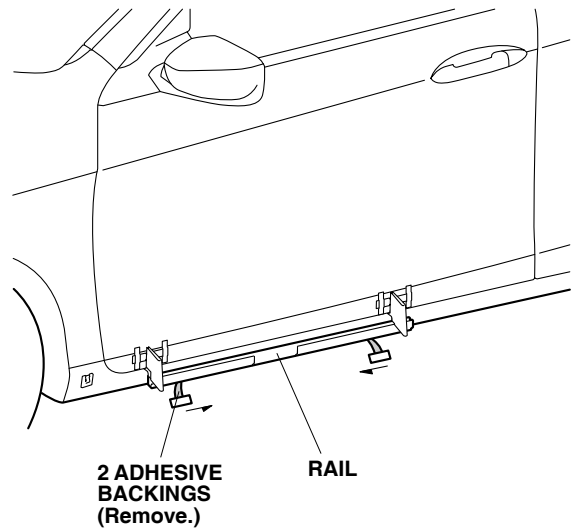
19. Attach masking tape to the end of the adhesive backings, and attach them to the front surface of the rail as shown.

20. While holding the templates against the vehicle panel, align the rail with the templates as shown. Attach the rail to the vehicle panel.



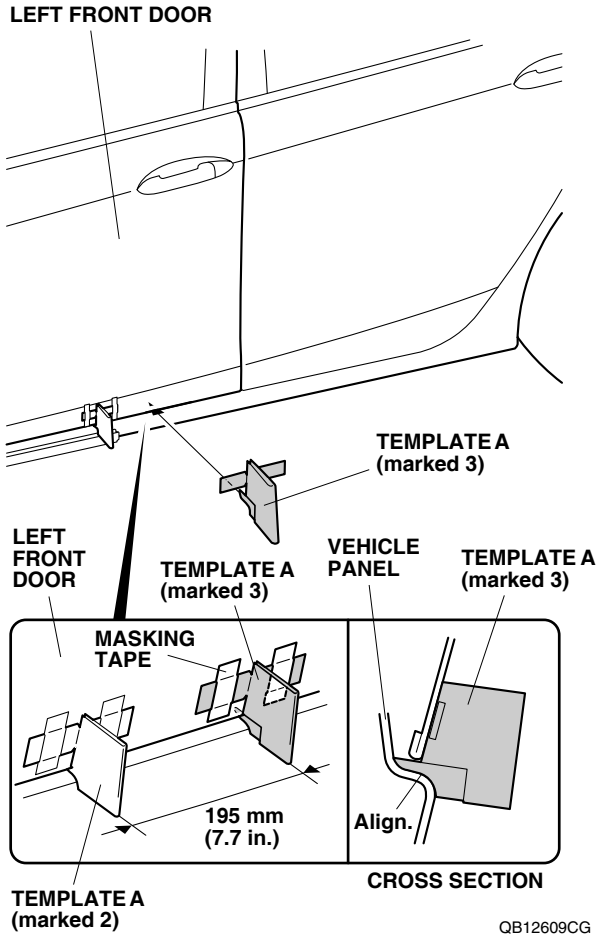
QB12607CG

21. Make sure that the rail is aligned with each template, then carefully remove each adhesive backing.

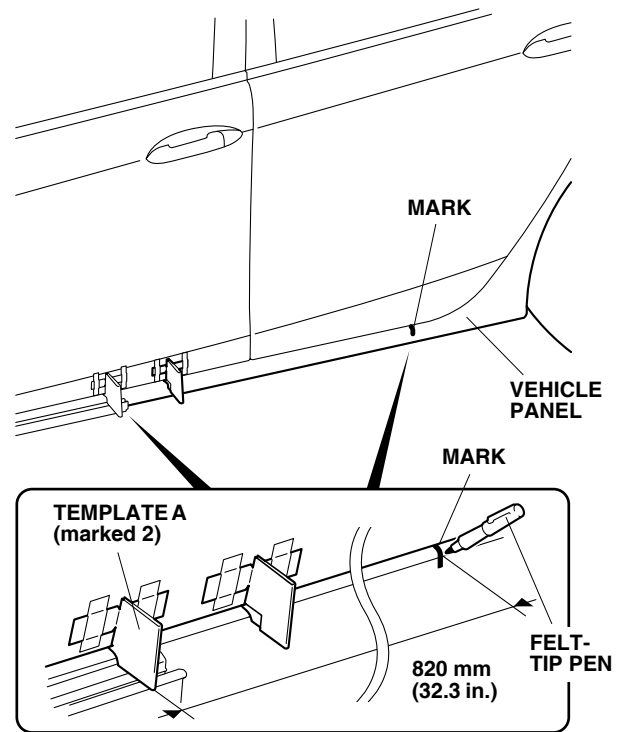


QB12608CG

22. Place template A (marked 3) into position at the location shown. Align template A with the vehicle panel; lightly push down on the template, and attach it to the left front door with masking tape. Make sure there is no gap between the template and the vehicle panel.



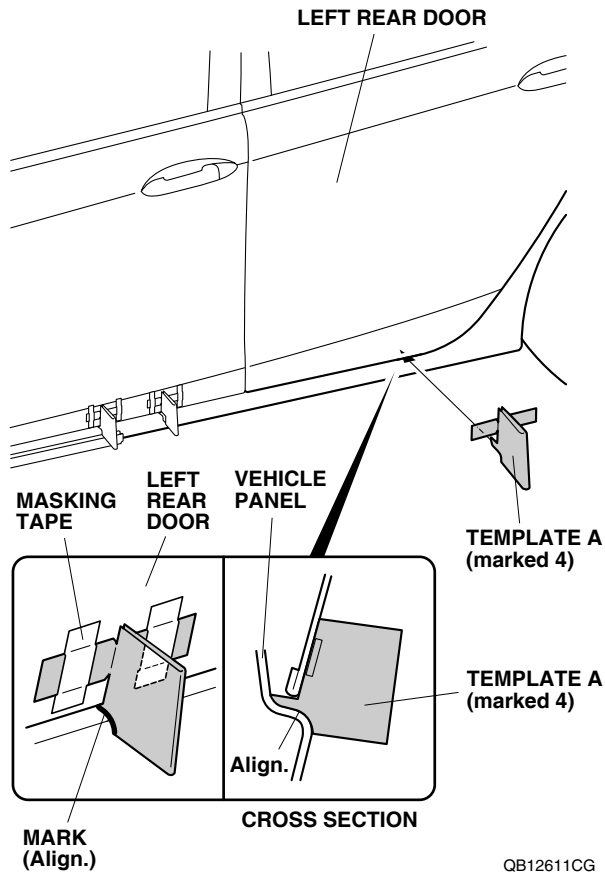
23. Using a felt-tip pen, mark the vehicle panel at the measurement shown.



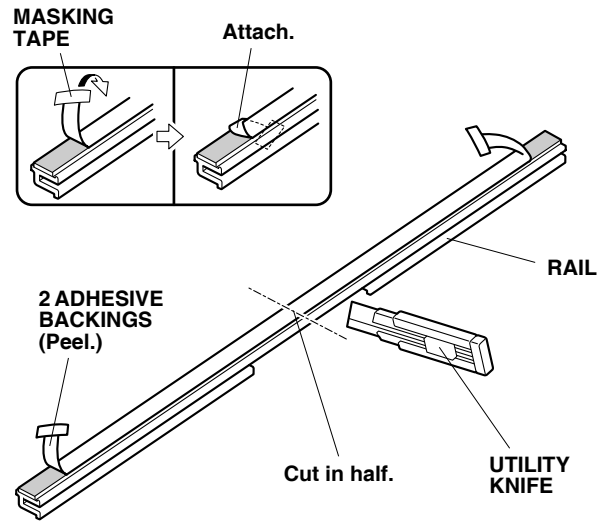
QB12610DG



24. Place template A (marked 4) into position at the location shown. Align template A with the vehicle panel; lightly push down on the template, and attach it to the left rear door with masking tape. Make sure there is no gap between the template and the vehicle panel.

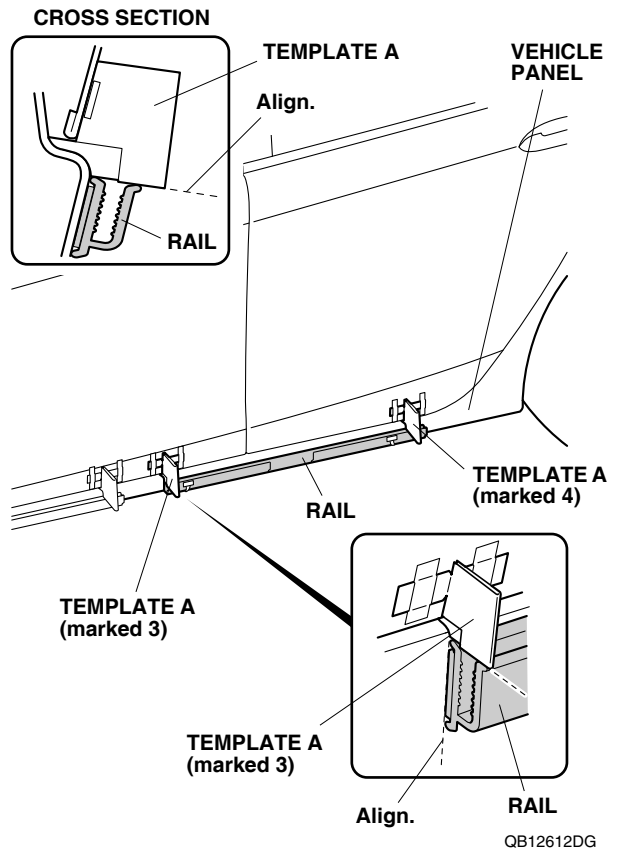


25. Using a utility knife, cut the adhesive backing on the rail in half.

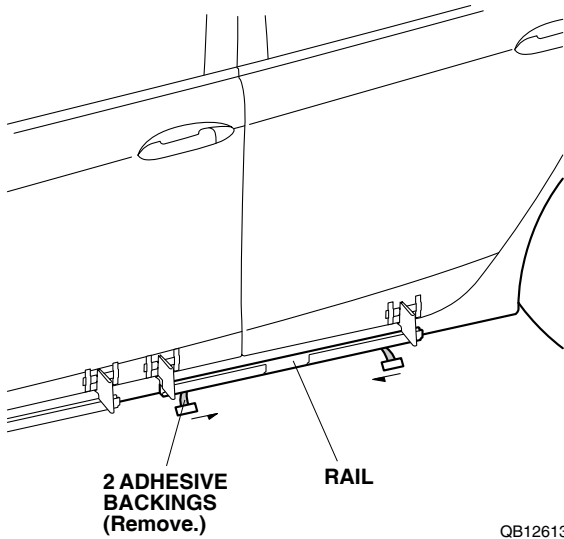


26. Attach masking tape to the end of the adhesive backings, and attach them to the front surface of the rail as shown.

27. While holding the templates against the vehicle panel, align the rail with the templates as shown. Attach the rail to the vehicle panel.

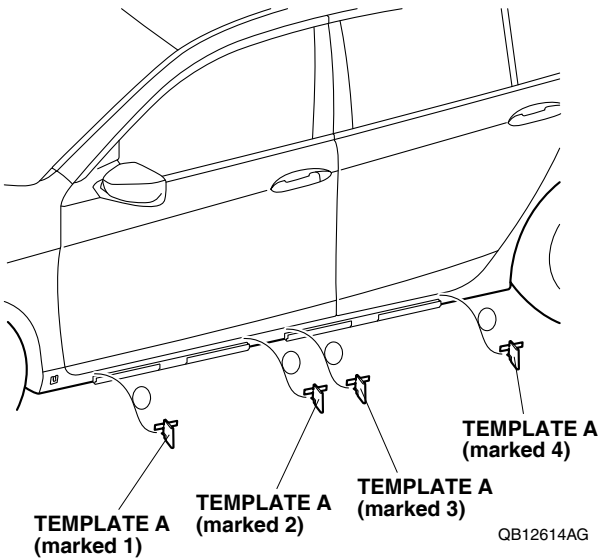


28. Make sure that the rail is aligned with each template, then carefully remove each adhesive backing.



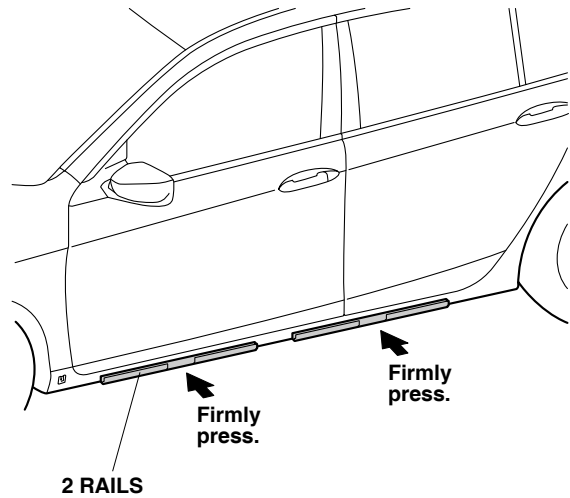
QB12613DG

29. Remove all four templates. Be careful not to damage the templates. They are also used to mark the right side of the vehicle.



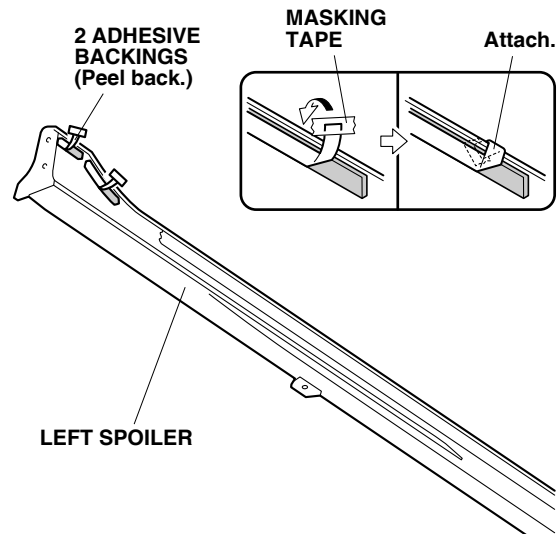
QB12614AG

30. Using the palm of your hand, firmly press the rails against the vehicle panel for 30 seconds. Remove the marks you made using isopropyl alcohol on a shop towel.



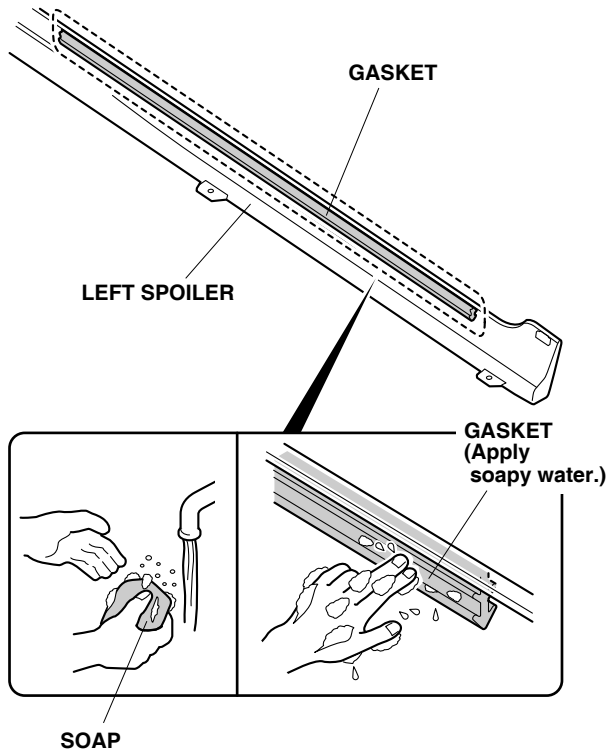
QB12616AG

31. Attach masking tape to the ends of the adhesive backings, and attach them to the front surface of the left spoiler.



QB12701AG

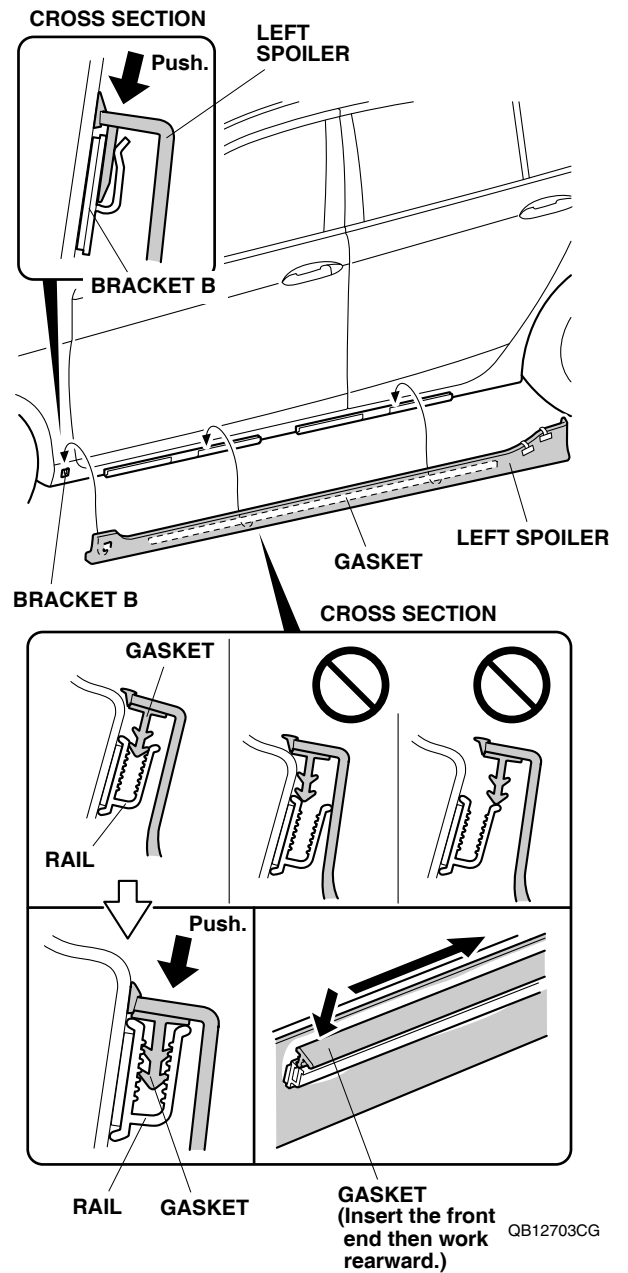
32. Using your hand, apply soapy water to the gasket on the left spoiler.  
**NOTE:** Do not use an organic solvent (e.g. thinner, benzene, gasoline, etc.), acid or alkaline solution.



QB12702AG

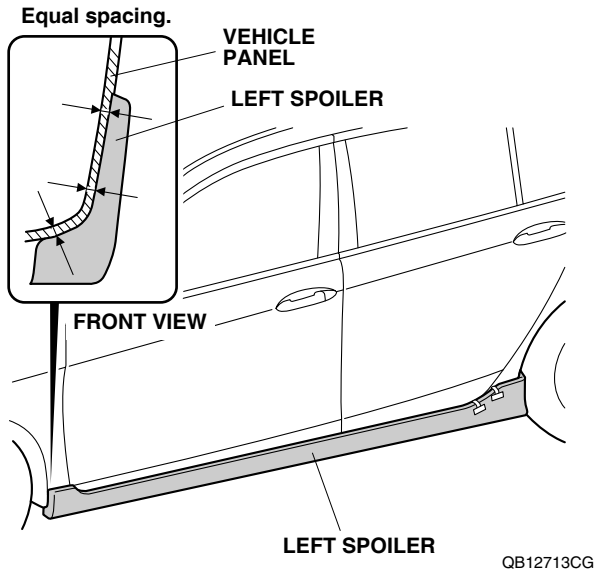
33. Secure the hook on the left spoiler to bracket B and align the gasket on the left spoiler with the rails. Insert the front end of the gasket into the rail first, then work rearward. Move the left spoiler up and down gently to make sure that the gasket is installed securely to the rails.

**NOTE:** When installing the gasket to the rail, excessive force will damage the gasket and bracket. Apply just enough pressure to allow the gasket to contact the vehicle.

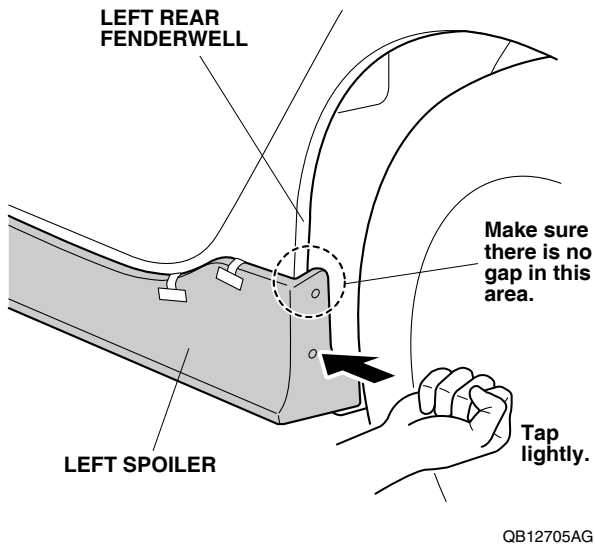


QB12703CG

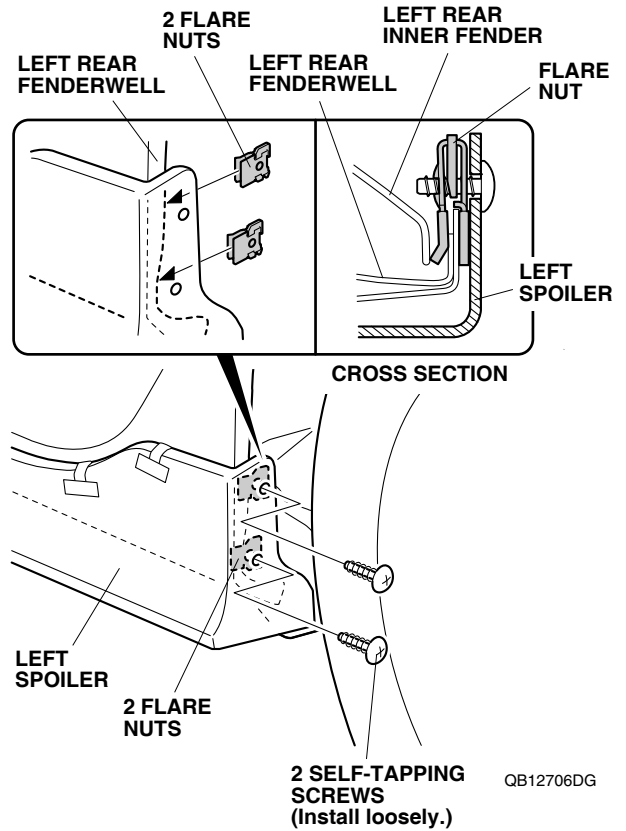
34. Adjust the gap in the area shown.



35. Lightly tap the left spoiler to remove any gap between the left spoiler and the left rear fenderwell.

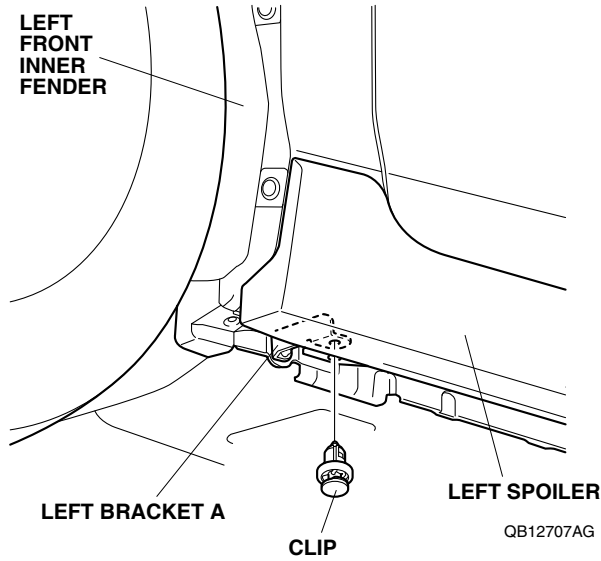


36. Install two flare nuts to the rear fender lip. Install the flare nuts in the correct position and orientation. Loosely install two self-tapping screws.

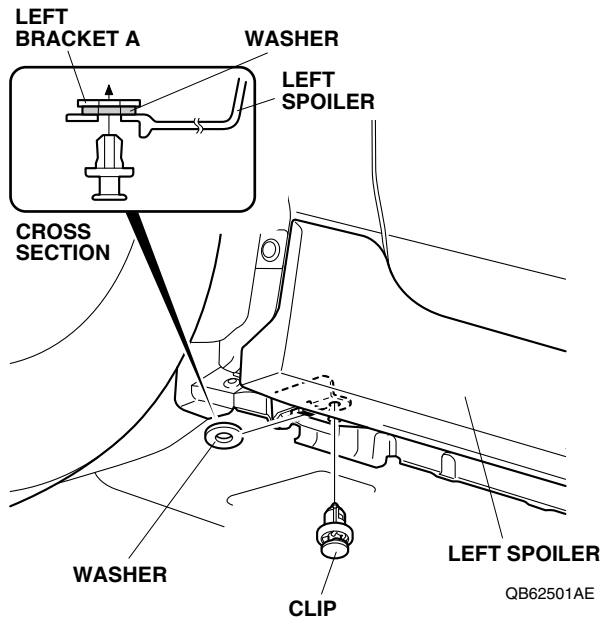


37. Secure the left spoiler to left bracket A.

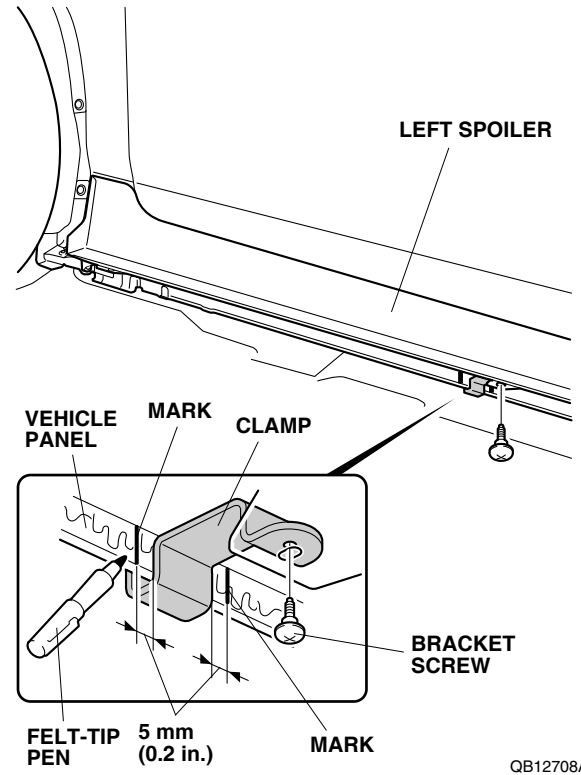
JAPAN models: Use one clip.



U.S. models: Use one washer and one clip.



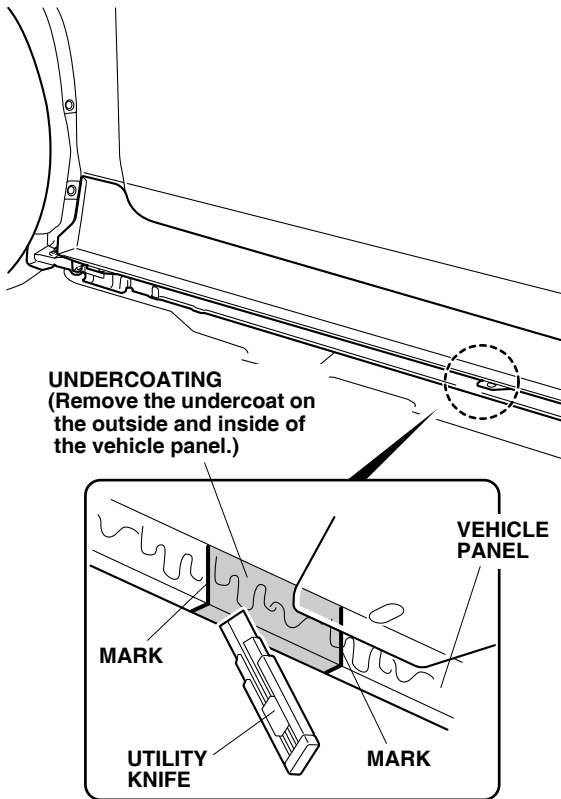
38. Install one clamp with the bracket screw.



39. Using a felt-tip pen, mark the vehicle panel at the measurement shown.

40. Remove the clamp and bracket screw.

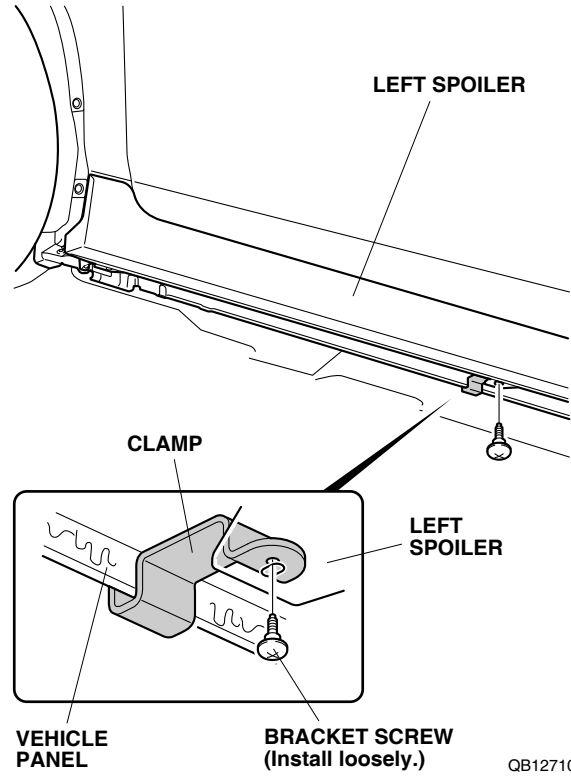
41. Using a utility knife, remove the undercoating in the area shown.



QB12709AG

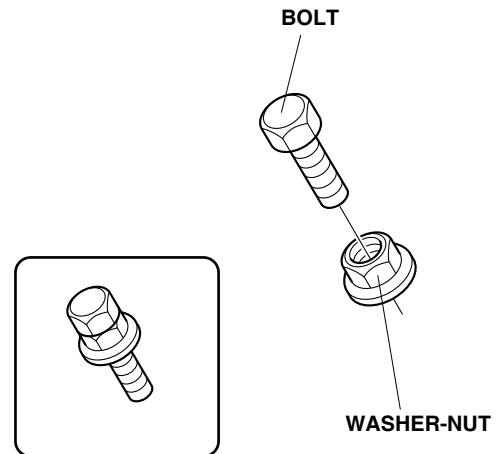
42. Apply touch-up paint to the area where you removed the undercoating, and allow it to dry thoroughly.

43. Install the clamp with the loosely-installed bracket screw.



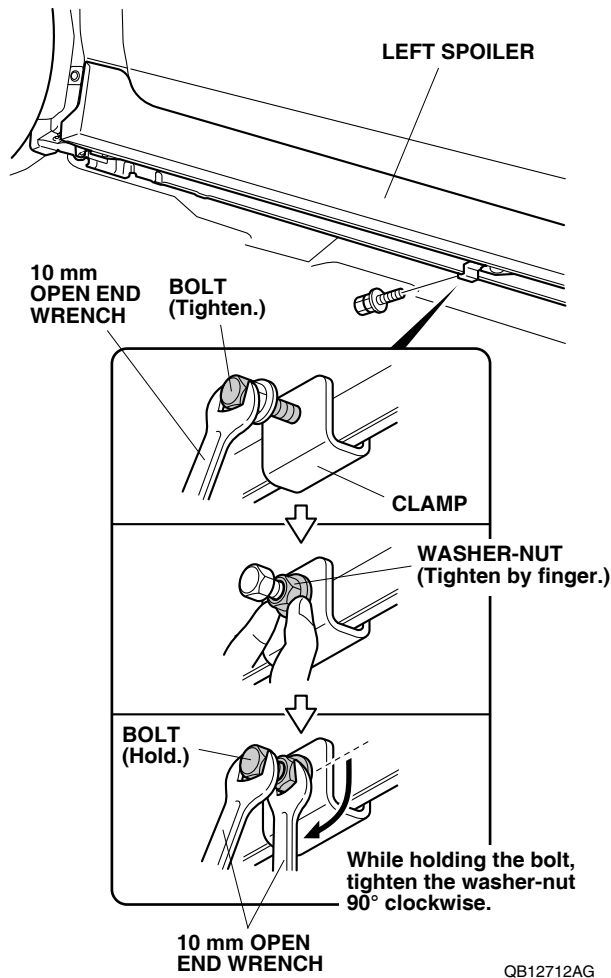
QB12710AG

44. Assemble one bolt and one washer-nut.



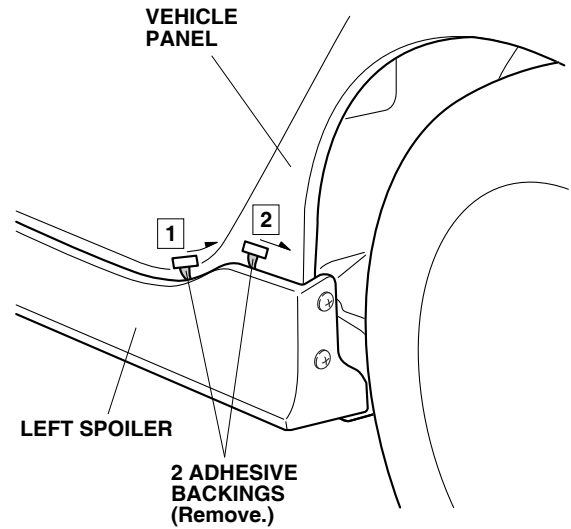
QB12711AG

45. Tighten the bolt into the clamp securely, then finger tighten the washer-nut against the clamp. While holding the bolt, tighten the washer-nut 90° clockwise.



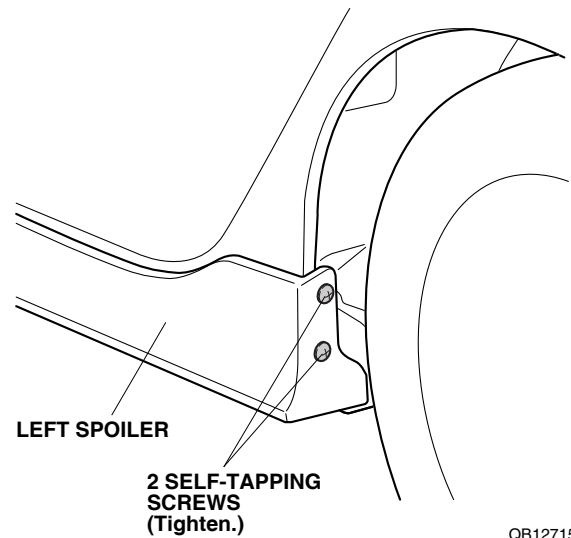
QB12712AG

46. Remove the two rear adhesive backings in the order shown. Press the left spoiler firmly against the vehicle panel with the palms of your hand.



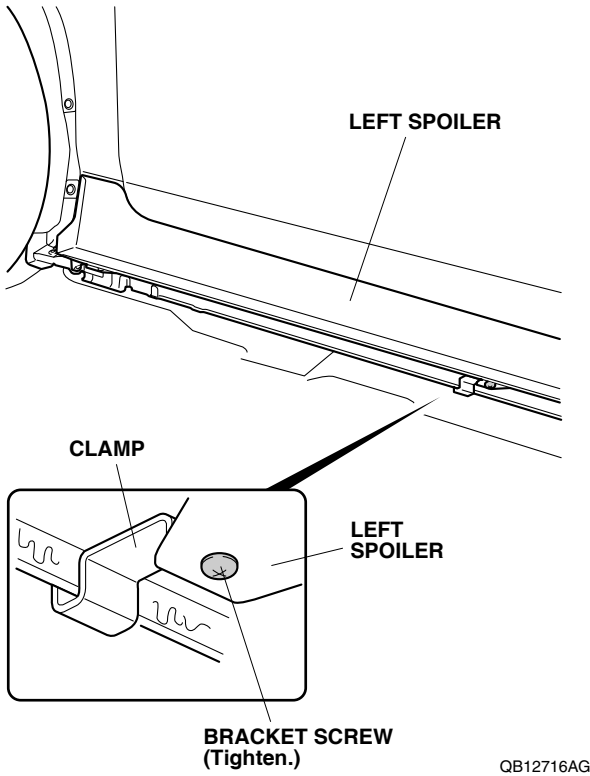
QB12714CG

47. Tighten the two self-tapping screws.

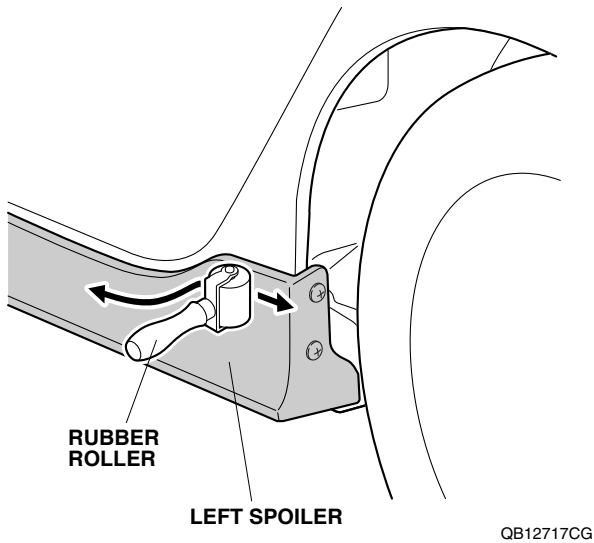


QB12715CG

48. Tighten the bracket screw.



49. Using a rubber roller, apply firm pressure while rolling, especially at the ends, to set the adhesive.



50. Repeat steps 1 through 49 to install the right spoiler on the right side of the vehicle.